



Product Name: Fingerprint With Touch  
Keypad Access Control  
System

Product Type: FP-500

Features:

About Fingerprint With Touch Keypad Access Control System:

Supports 950 users for FP-500A and 4,750 users for FP-500B (Each user can enroll two templates)

Supports 20,000 history record

Fingerprint identification method: 1:1 & 1:N

Identification time could be 0.8 seconds under 1:1 with 950 users

Built-in RS232, RS485 & RS422 interface

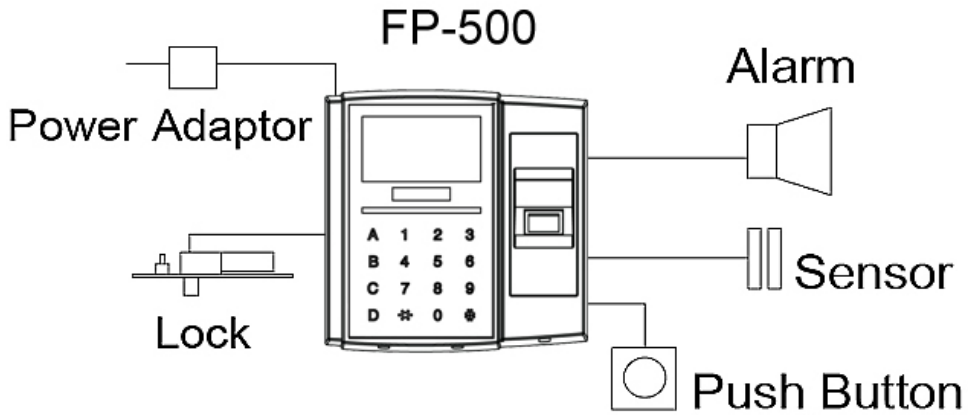
Built-in Watch Dog, the system never hang

Built-in tamper switch detects when case is forced open or destroyed, the alarm signal will output (A. B. point)

Operation mode: Card + Fingerprint, PIN + Fingerprint, Card + Fingerprint or PIN + Fingerprint, Card only, PIN only, Inhibite Access, Opening

Intranet network with TCP/IP converter or built in TCP/IP module (option device)

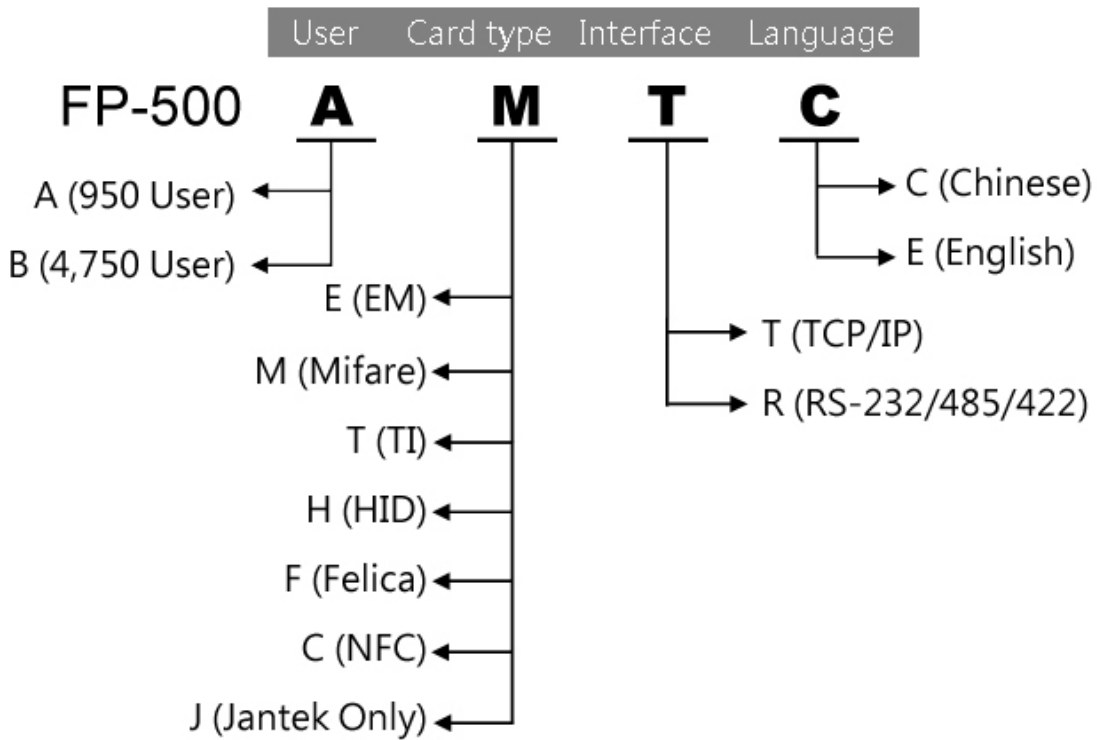
Configuration :



Specifications:

Display:	128 x 64 Dot (Blue backlight LCD)
Keypad:	4 x 4 16 keys touch keypad (Blue backlight LED)
Operating Environment Temperat	-20 ~ 50 ° C
Humidity:	20%~90RH
FAR:	0.001%
FRR:	1%
Dimensions:	194(L) x 162(W) x 48(H)mm
Power:	DC12V, 1A
Relay:	4 relays contact (Max. DC 12V, 1Amp)

Ordering Information:



Reference models:

Taiwan Jantek Electronics., Ltd.

[www.jantek.com.tw](http://www.jantek.com.tw)

Add:6F-1, No. 1, Wuquan 1St.Rd.,Xinzhuang District, TEL : 886-2-22991255

New Taipei City 24892, Taiwan, R.O.C.

FAX : 02-2299-1257 / 02-2299-7412

Email : [service@jantek.com.tw](mailto:service@jantek.com.tw)