



Product Name: Self Contained, Standalone
Proximity Access Control

Product Type: PR-30C

Features:

Low price, single door Proximity System

Frequency is 125KHZ

Maximum reading range from 14 ~ 20 cm (under normal enviroment) up to 20cm (8

Could be used by 1.8mm or 0.76mm EM card or key tag

Access control unit includes built-in reader and programming keypad

Card capacity is 9,999 cards (Key tags)

There are three operating Mode-Card only, Card with Keypad or free access mode (Facility Code only)

Programmable door release time from 1~250 seconds through command mode

Built-in Watch Dog, the system never hang

Data is protected even after power failure

Programmable alarm loop enable/disable through command mode

Access Code could be added or deleted through command code

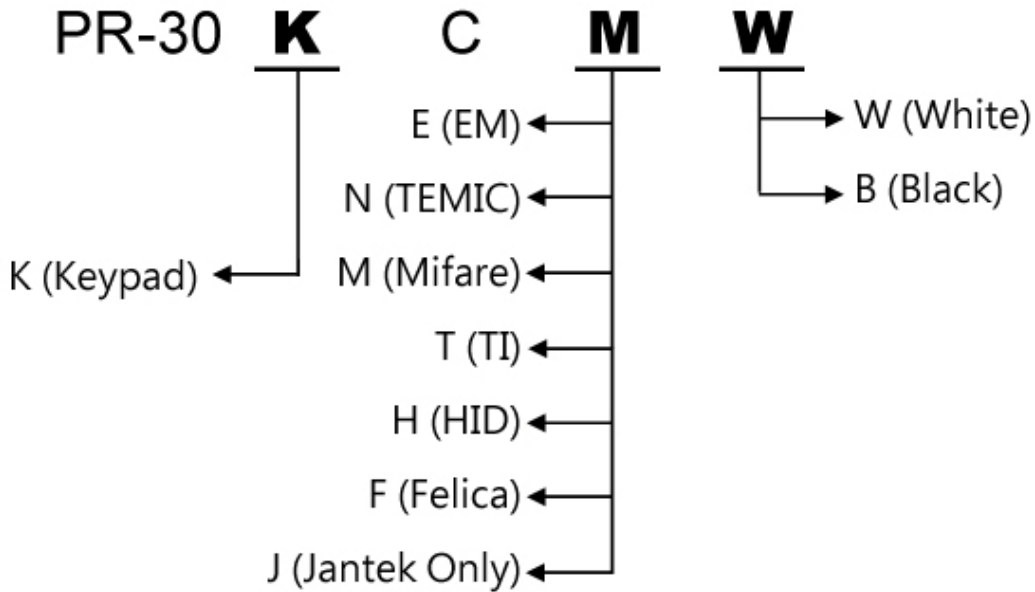
Built-in tamper switch detects when case is forced open or destroy, the alarm signal output (A,B point)

Specifications:

Keypad	3 x 4, 12 keys
Power requirement	DC 12V 1Amp
Operating temperature	32 ° F~122 ° F(0 ° C~50 ° C)
Humidity	20%~90%RH
Dimensions	130(L) x 86(W) x 25(H) mm
Relay	2 relay contact (Max. DC 12V 1Amp)

Ordering Information:

有無建盤 讀卡模組 外殼顏色



Reference models:

Taiwan Jantek Electronics., Ltd.

Add:6F-1, No. 1, Wuquan 1St.Rd.,Xinzhuang District, TEL : 886-2-22991255

New Taipei City 24892, Taiwan, R.O.C.

FAX : 02-2299-1257 / 02-2299-7412

www.jantek.com.tw

Email : service@jantek.com.tw