



Product Name: Proximity with Fingerprint
Access Control System

Product Type: FP-200DE

Features:

About Proximity with Fingerprint Access Control System:

Standalone or PC on line with JAS software

Frequency is 125KHZ

With backlit keypad and LCD

Programmable door delay close time from 0~250 seconds, when door unlock over delay time setting, the alarm signal will output

Support 1000 users for FP-200D and 4,000 users for FP-200E (Each user can enroll two templates)

Can be used by 1.8mm、0.76mm EM card or Key tag

Reading range from 14~20cm (under normal environment)

Built-in RS232 & RS485 interface

Can save 10,000 door access history record

Reader ID can be setting through Dip switch

Built-in Watch Dog, the system never hang

Built-in tamper switch detects when case is forced open or destroy, the alarm signal will output (A. B. point)

Data is protected even after power failure

Door open mode: Card + Fingerprint, PIN + Fingerprint, Card only mode

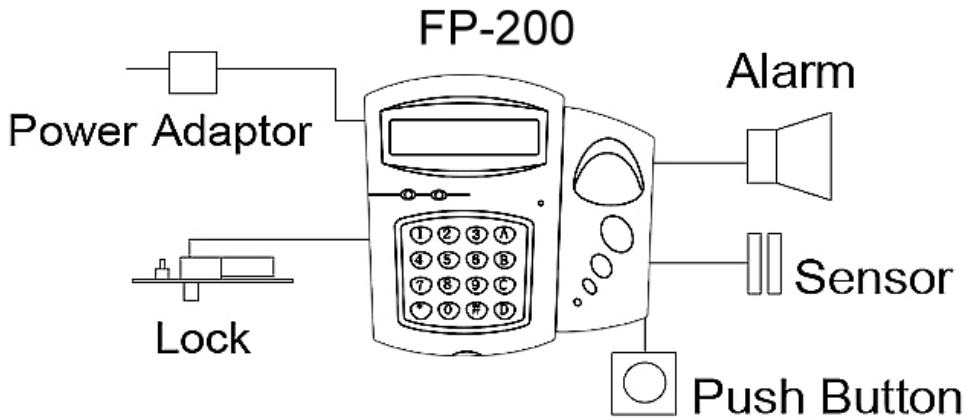
User selectable Card door open mode when fingerprint is hard verification

Fingerprint verification in less than 1 second

Intranet network with two options: 1.Built-in TCP/IP 2.External TCP/IP converter

Built-in Mifare / HID module (Option device)

Configuration :

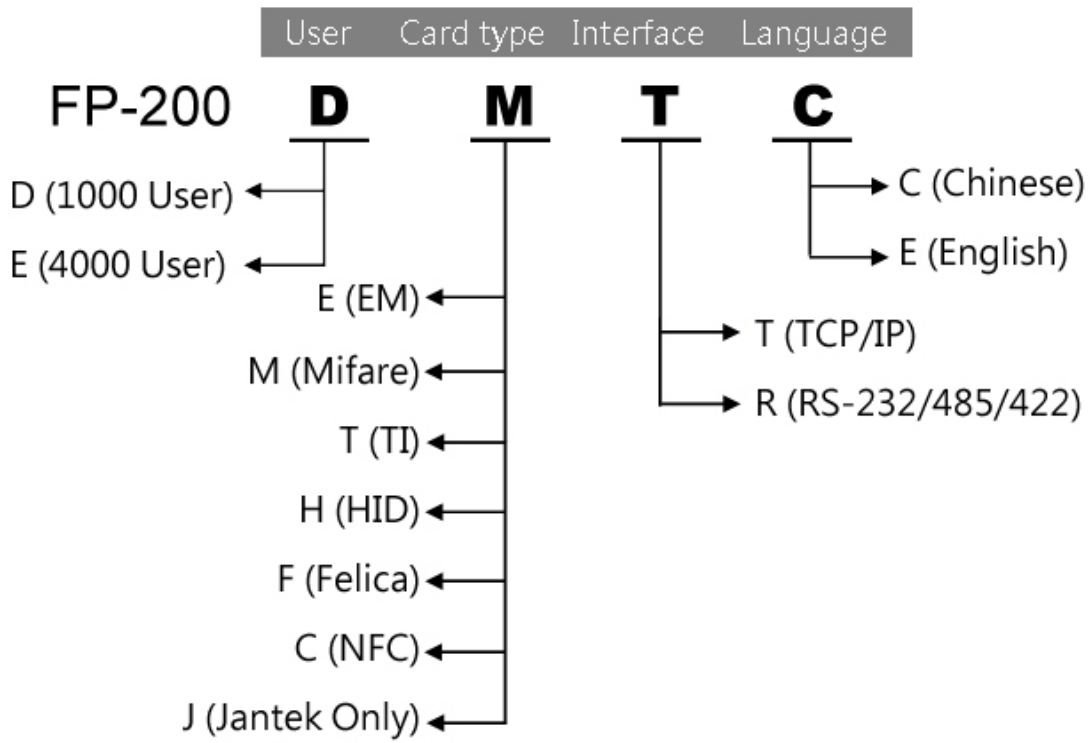


Configuration (RS-232 / RS-485.422) :

Specifications:

LCD	2 x 16 Characters
Keypad	4 x 4, 16 Keys backlit keys
Power requirement	DC 12V, 1Amp
Environment	Operating Temperature: 32 ~122 (0 ~50)
Humidity	20%~90% RH
Dimensions	185(L) x 184(W) x 48(H) mm
Relay	3 relay contact (Max. DC 12V 1Amp)
FAR	< 1/100,000
FRR	< 1/1,000

Ordering Information:



Reference models:

Taiwan Jantek Electronics., Ltd.
Add:6F-1, No. 1, Wuquan 1St.Rd.,Xinzhuang District, TEL : 886-2-22991255
New Taipei City 24892,Taiwan, R.O.C.
FAX : 02-2299-1257 / 02-2299-7412

www.jantek.com.tw
Email : service@jantek.com.tw