



Product Name: Proximity with Fingerprint
Access Control System

Product Type: FP-400AB

Features:

Support 950 users for FP-400A and 4,750 users for FP-400B (Each user can enroll two templates)

Fingerprint identification method: 1:1 & 1:N

Identification time could be 0.8 seconds under 1:1 with 950 users

Built-in RS232 & RS485/RS422 interface

Built-in Watch Dog, the system never hang

Built-in tamper switch detects when case is forced open or destroyed, the alarm signal will output (A. B. point)

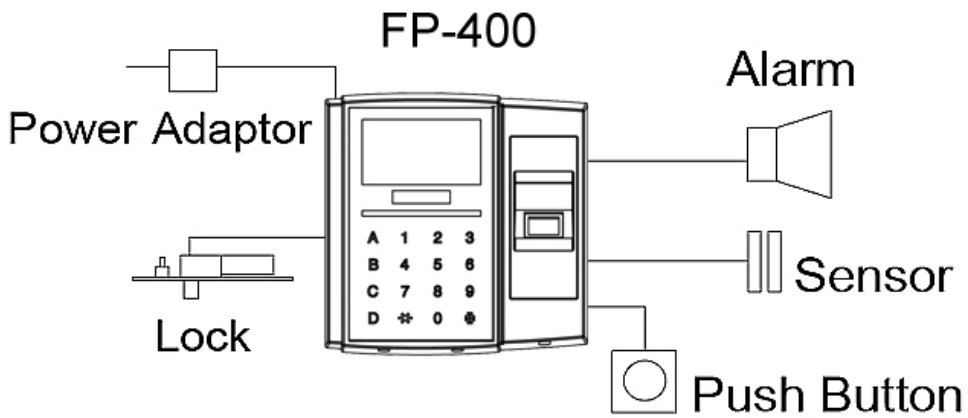
Operation mode: Card + Fingerprint, PIN + Fingerprint, Card + Fingerprint or PIN + Fingerprint, Card only, PIN only, Inhibite Access, Opening

Intranet network with TCP/IP converter or built in TCP/IP module (option device)

IP65 Water Proof

With 20,000 history record.

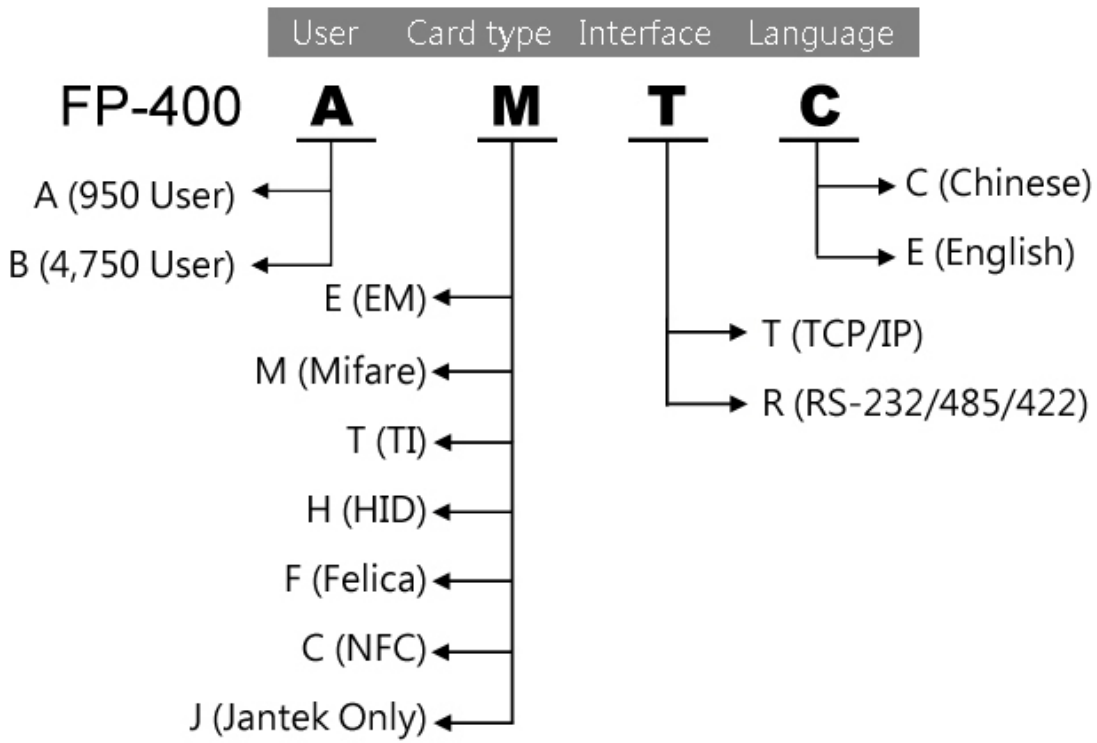
Configuration :



Specifications:

Display	160 x 80 Dot (Blue Backlight LCD)
Keypad	4 x 4 16 Keys (Blue Backlight LED)
Operating Environment Temperat	-20~50 C
Humidity	20%~90% RH
FAR	Below 0.001%
FRR	1%
Dimensions	194(L) x 162(W) x 48(H) mm
Power	DC 12V 1A
Relay	4 relays contact (Max. DC 12V 1Amp)

Ordering Information:



Reference models:

Taiwan Jantek Electronics., Ltd.
 Add:6F-1, No. 1, Wuquan 1St.Rd.,Xinzhuang District, TEL : 886-2-22991255
 New Taipei City 24892,Taiwan, R.O.C.
 FAX : 02-2299-1257 / 02-2299-7412

www.jantek.com.tw
 Email : service@jantek.com.tw