



Product Name: PC On Line Proximity  
Access Control System

Product Type: PR-80C

Features:

About PC On Line Proximity Access Control System:

- Standalone or PC on line with JAS software
- Frequency is 125KHz
- Programmable door delay close time from 0~255 seconds, when door unlock over delay time setting, the alarm signal will output
- Support 10,000 cards
- Reading range from 10~16cm (under normal environment).
- Built-in clock and calendar
- Built-in RS232/ RS422/ RS485 interface
- Support 10,000 history record
- Built-in Watch Dog, the system never hang
- Built-in tamper switch detects when case is forced open or destroy, the alarm signal output (A. B. point)
- Data is protected even after power failure
- With 60 holiday setting function (Option device)
- There are eight programmable time zone, three schedule for user to set different entry time
- Inside door can be installed a push button or PR-200/PR-300
- With real-time printing function (RS232 port), can be

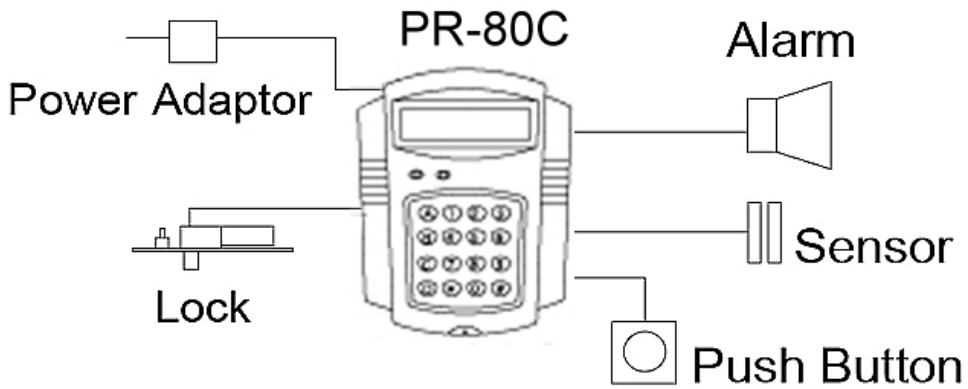
connected a serial printer

Operation mode: Card Only, Card + PIN, PIN or Card,  
Facility Code Only, Opening or Inhibit Access

Intranet network with two option devices:

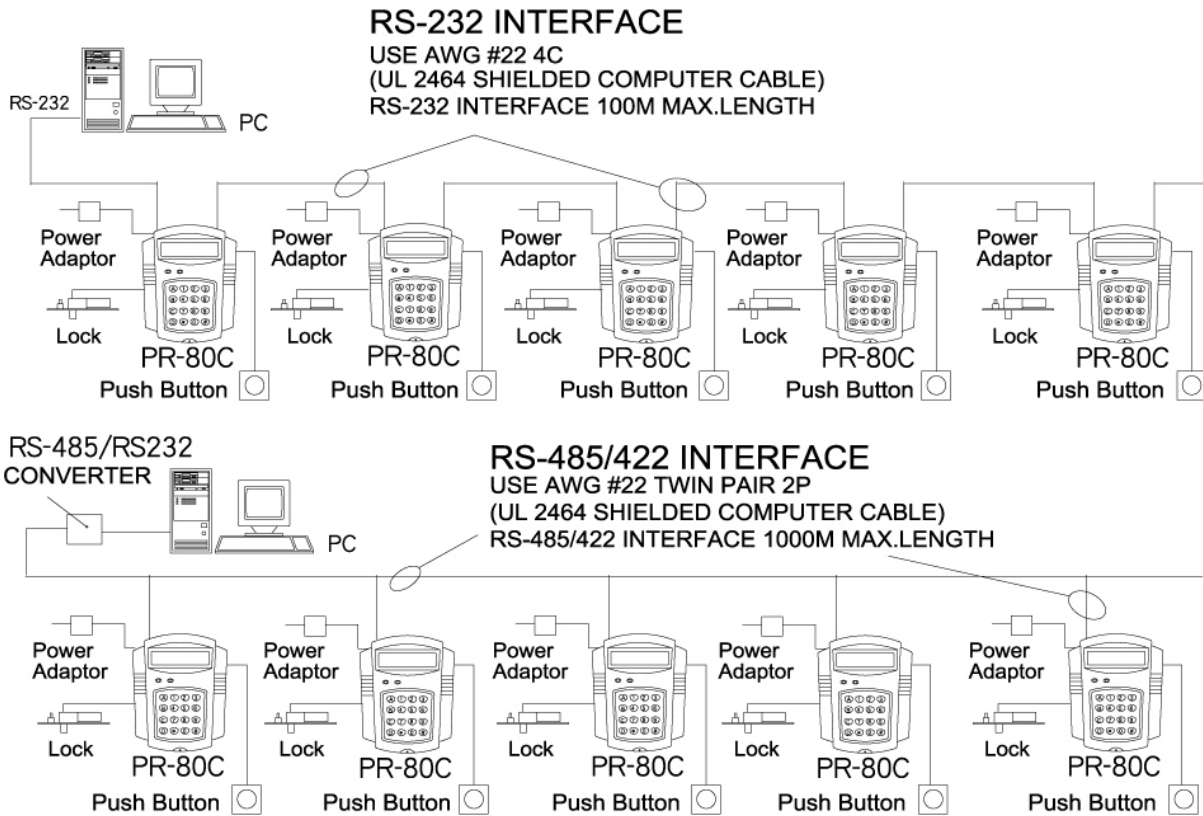
1. Built-in TCP/IP module
  2. External TCP/IP converter
- Built-in Mifare/HID module (option device)

Configuration :



Configuration (RS-232 / RS-485.422) :

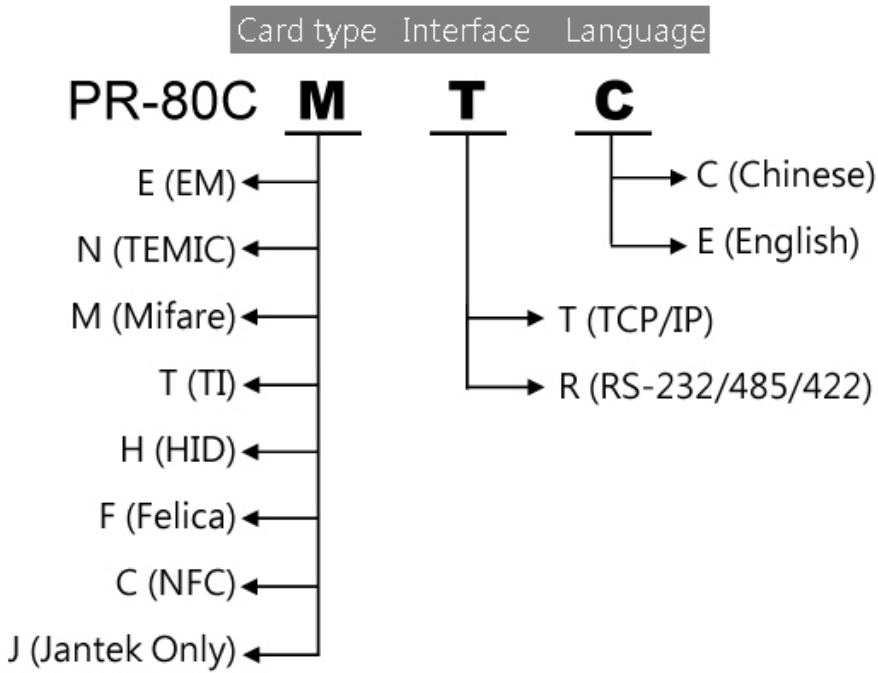
## ※ PR-80C PC on Line Proximity Card Reader Configuration



### Specifications:

LCD	2X16 Characters (backlit LCD)
Keypad	4X4, 16keys
Power requirement	DC 12V 1Amp
Operating temperature	32 ° F~122 ° F(0 ° C~50 ° C)
Humidity	20%~90%RH
Dimensions	147 (L) X 119 (W) X 40 (H) mm
Relay	3 relay contact (Max. DC 12V 1Amp)

### Ordering Information:



Reference models:

Taiwan Jantek Electronics., Ltd.  
Add:6F-1, No. 1, Wuquan 1St.Rd.,Xinzhuang District, TEL : 886-2-22991255  
New Taipei City 24892,Taiwan, R.O.C.  
FAX : 02-2299-1257 / 02-2299-7412

[www.jantek.com.tw](http://www.jantek.com.tw)  
Email : [service@jantek.com.tw](mailto:service@jantek.com.tw)