



Product Name: Electric Door Bolt

Product Type: JEB-258

Features:

Providing concealed high security locking on any single or double action, hinged or sliding door in timber or metal for vertical or horizontal mounting.

Concealed mortise mounting.

Slimline styling suits most narrow profile joinery

Continuously rated solenoid

Power reduction module-minimises power consumption maximizes durability

Selectable unlock period- 0.3.6.9 seconds (DIP switch)

Door position sensor

Complete with built in transient and reverse polarity protection and continuously rated solenoid.

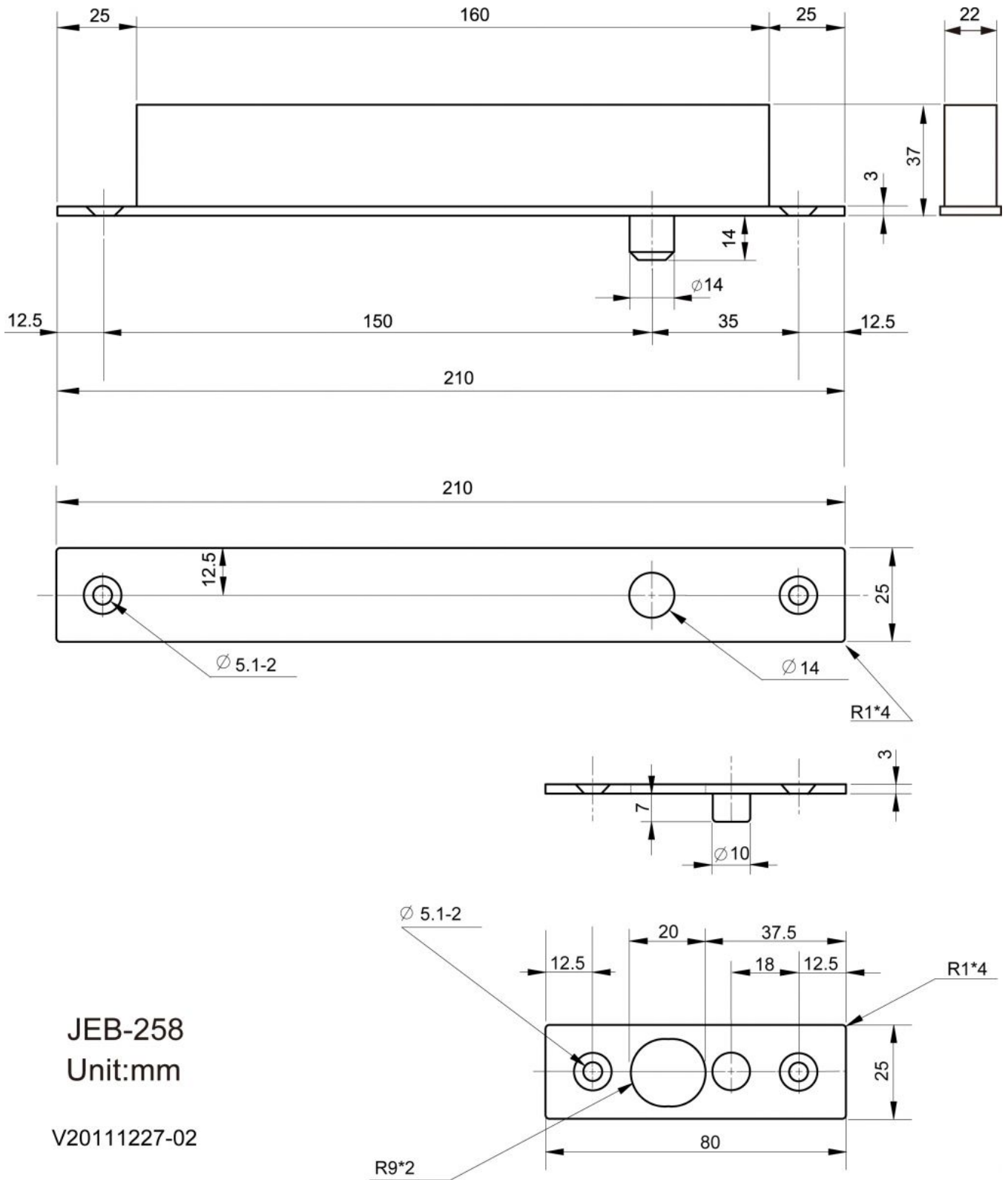
Automatic deadlocking

With push button point to unlock bolt (control PIN & V+ must short.)

Specifications:

Power source	DC 12V 1A
Start current	0.85A
Operating current	120mA, hold after 500ms.
Face Plate	210(L) × 25(W) × 37(H)mm

Strike: Mortise	80(L)×25(W)×10(H)mm
	Back Box: 160(L)×22(W)×40(H)mm
Bolt	14mm(diameter), 14mm(Throw)



JEB-258
Unit:mm

V20111227-02

Ordering Information:

Electric Door Bolt Assembly (option) :

UBK-253 Bracket for frameless glass door Dimension : 153x50x47mm

UBK-250 Surface Mount Housing Dimension : 214x58x53mm

UBK-250U Bracket for frameless glass door Dimension : 214x103x53mm

TP-250 Dressing Cover Dimension : 221x35x0.4mm

TS-250 Bracket Dimension : 90x25x24mm

Reference models:

Taiwan Jantek Electronics., Ltd.

www.jantek.com.tw

Add:6F-1, No. 1, Wuquan 1St.Rd.,Xinzhuang District, TEL : 886-2-22991255

New Taipei City 24892, Taiwan, R.O.C.

FAX : 02-2299-1257 / 02-2299-7412

Email : service@jantek.com.tw