



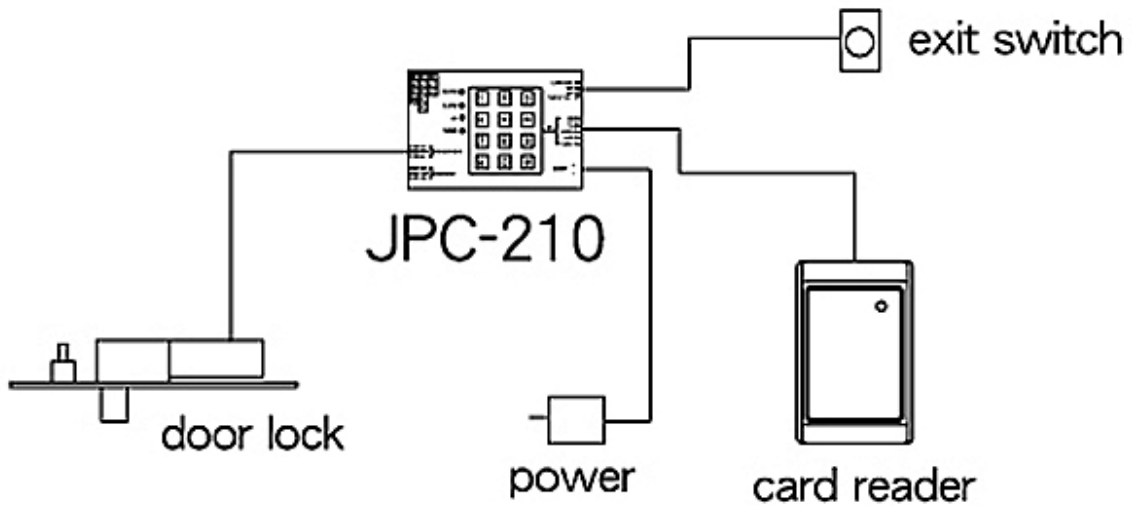
Product Name: Standalone Reader Controller

Product Type: JPC-210

Features:

- Standalone single door Controller
- Split system keeps your door secure
- Card capacity is 1,000,000 users
- Proximity Reader is available (Magnetic stripe Reader, Barcode Reader is the option device)
- Operating Mode-Card only or free access (Facility Code only)
- Programmable door release time from 1~254 seconds through command mode.
- Built-in Watch Dog, the system never hang
- Data is protected even after power failure
- Programmable alarm loop enable/disable through command mode
- Access Code could be added or deleted through command mode

Configuration :



Specifications:

Specifications	Keypad: 3 x 4, 12 keys for JPC-210
power requirement	DC12V 1Amp
Environment	Operating Temperature:0 ~50
Humidity	20%~90% RH
Dimensions	110(L) X 75(W) X 25(H) mm

Ordering Information:

Option Device :

PR-75W Wiegand Interface Proximity Reader

PR-200 Proximity Reader

PR-400 Proximity Reader

Reference models:

PR-400Mini Proximity card Reader

PR-75WWiegand Interface Proximity Reader

PR-200Proximity Card Reader

Taiwan Jantek Electronics., Ltd.

www.jantek.com.tw

Add:6F-1, No. 1, Wuquan 1St.Rd.,Xinzhuang District, TEL : 886-2-22991255

New Taipei City 24892, Taiwan, R.O.C.

FAX : 02-2299-1257 / 02-2299-7412

Email : service@jantek.com.tw