



Product Name: Touch Keypad Access Control System

Product Type: PR-520C

Features:

About Touch Keypad Access Control System:

Frequency is 125KHZ (13.56 MHZ is an option device.)

Reading range: EM:7 - 15 CM / Mifare:3 - 5 CM

Built-in RS232 & RS485/RS422 interface

Built-in tamper switch detects when case is forced open or destroyed, the alarm signal will output (A. B. point)

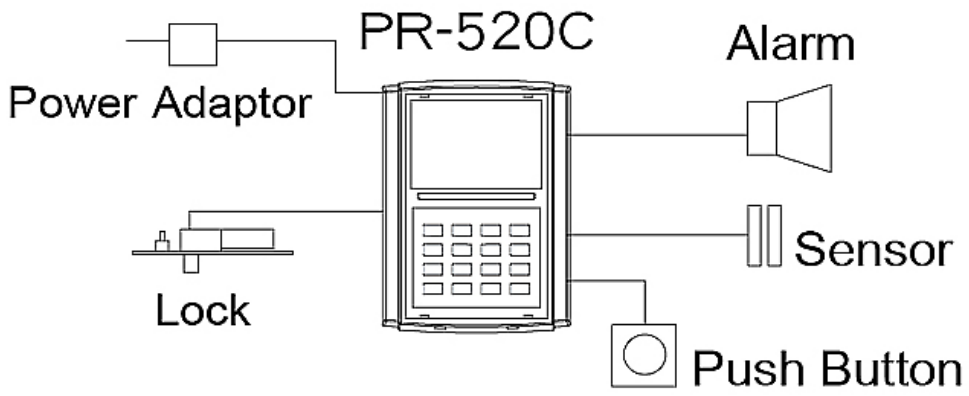
Can save 20,000 history record

Support 20,000 users when under standalone situation

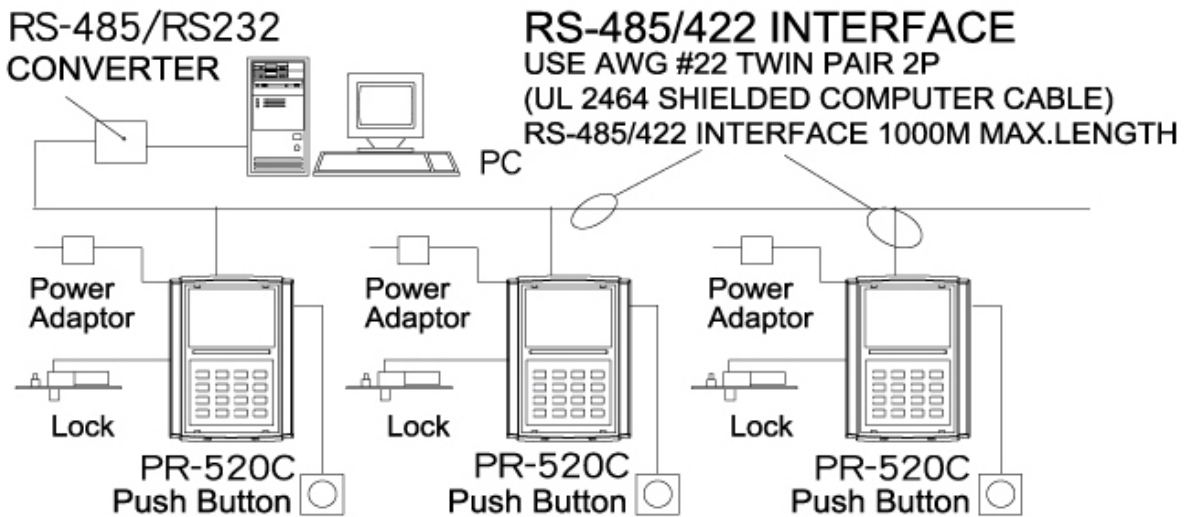
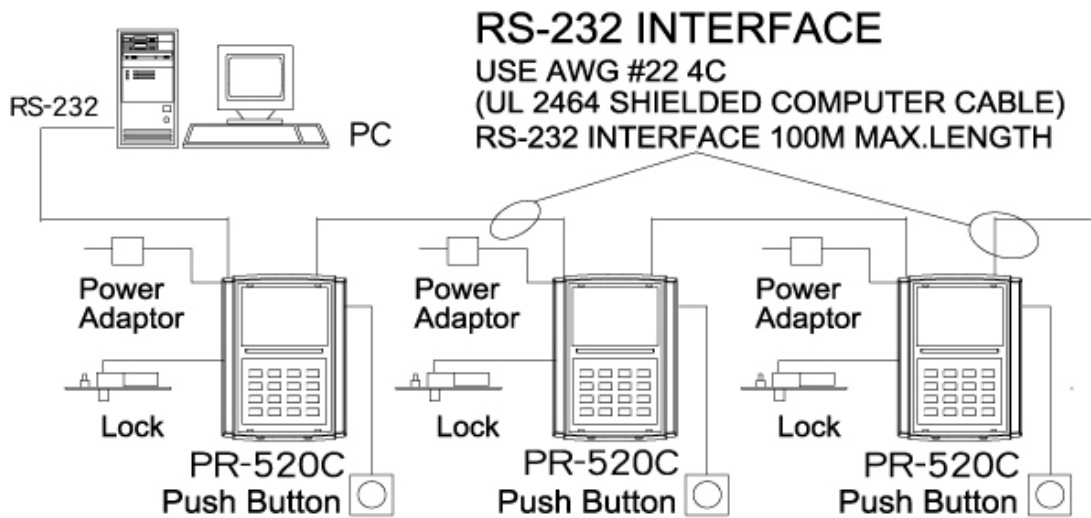
There are eight programmable time zone, three schedule for user to set different entry time

Intranet network with TCP/IP converter or built in TCP/IP module (option device)

Configuration :



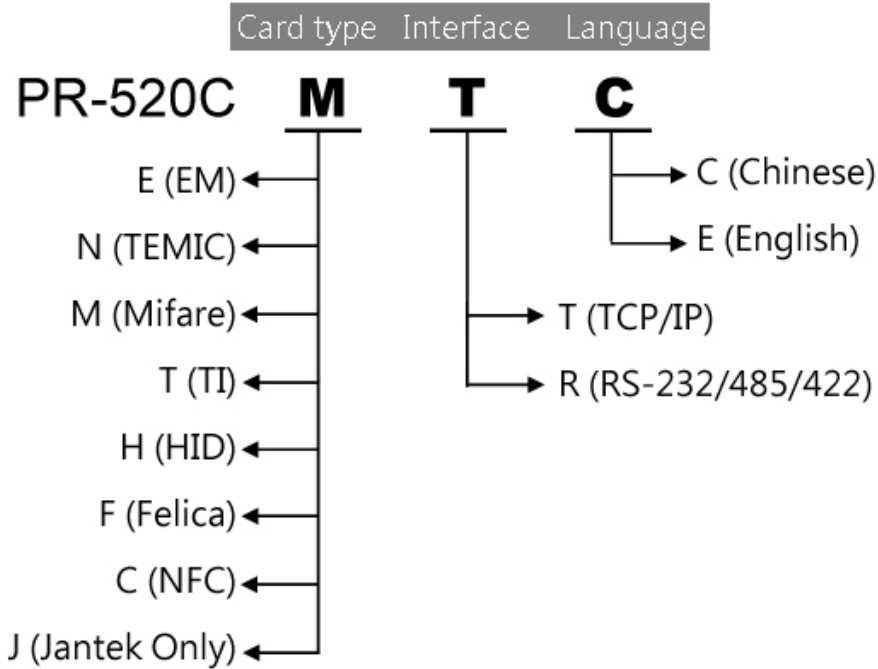
Configuration (RS-232 / RS-485.422) :



Specifications:

Display	160 x 80 Dot (Blue Backlight LCD)
Keypad	4 x 4 16 Keys Touch Keypad (Blue Backlight LED)
Operating Environment Temperat	0~50 C
Humidity	20%~90% RH
Dimensions	136(L) x 100(W) x 32(H) mm
Power	DC 12V 1A
Relay	4 relays contact (Max. DC 12V 1Amp)

Ordering Information:



Option :

Reader Pad : BH-520

TCP/IP Module : JTM-200

Reference models:

Taiwan Jantek Electronics., Ltd.

Add:6F-1, No. 1, Wuquan 1St.Rd.,Xinzhuang District, TEL : 886-2-22991255

New Taipei City 24892,Taiwan, R.O.C.

FAX : 02-2299-1257 / 02-2299-7412

www.jantek.com.tw

Email : service@jantek.com.tw