



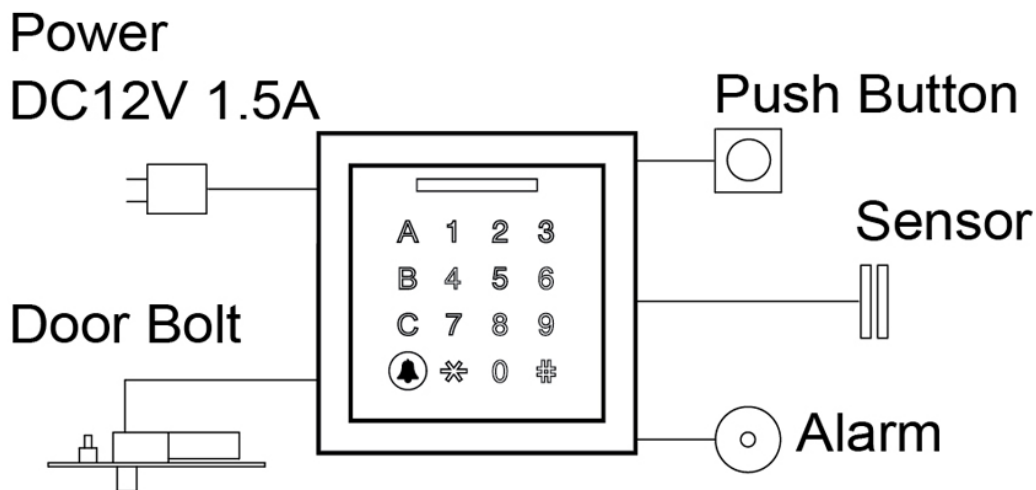
Product Name: Proximity Card Reader

Product Type: PR-860C

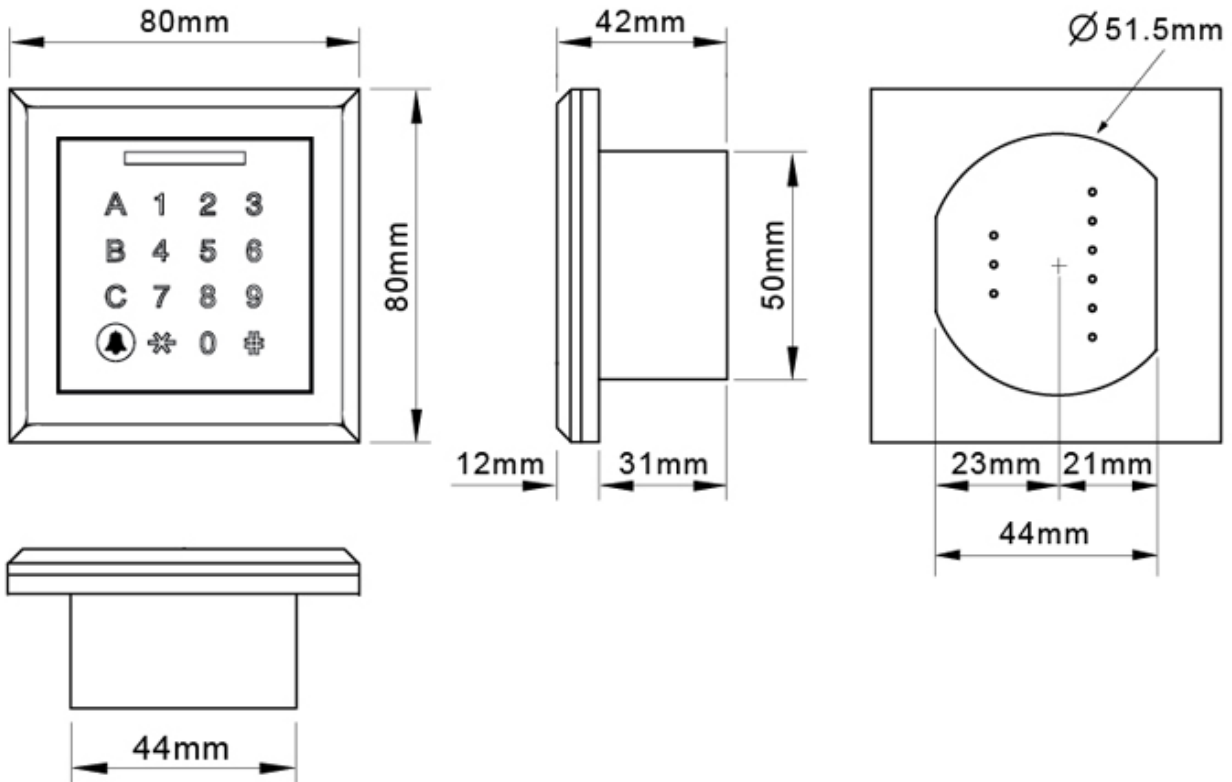
Features:

- Supports ISO14443-A Mifare card.
- With hidden code function.
- With 3-colored LED indicators to show status.
- With doorbell button and relay output.
- 20,000 card capacity.
- With ISP function. Available to upgrade via ISP.
- With 16 keys keypad. Blue backlit is optional.
- A DIP switch for adjusting reader ID from 1 to 255 is optional.
- With a contact for push button.
- With a relay output. Available for electric drop bolt.
- With a D/I input for door sensor.
- Wiegand, RS485 or RS232 output is optional
- With a buzzer.

DIAGRAM :



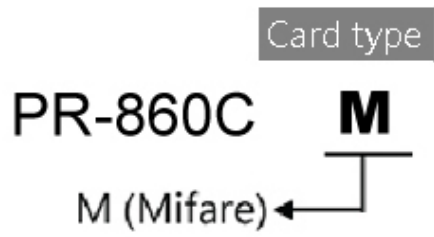
DIMENSION :



Specifications:

Read Range	Mifare Card: 2cm ~ 5cm
LCD	-
LED indicator	Three colors
Keypad	16 Keys Touch Keypad (Blue Backlit LED)
contact for push button	With a contact for push button
Output	Relay Output
Input	D/I Input
Interface	Wiegand、RS232、RS485 (Optional)
Power	DC 9V~DC 12V
Operation Temperature	0 ~ 55
Dimension /mm	80 (L) X 80 (W) X 42 (H)

Ordering Information:



Reference models:

PR-710C Proximity card reader with touch keypad

Taiwan Jantek Electronics., Ltd.

www.jantek.com.tw

Add: 6F-1, No. 1, Wuquan 1st Rd., Xinzhuang District, TEL : 886-2-22991255

New Taipei City 24892, Taiwan, R.O.C.

FAX : 02-2299-1257 / 02-2299-7412

Email : service@jantek.com.tw