

Product Name: Fingerprint With Touch
Keypad Access Control
System

Product Type: FP-530C

Features:

About Fingerprint With Touch Keypad Access Control System:

Standard card format is EM. Mifare, HID and others are optional.

Effective reading range for EM is 7~15 cm. For Mifare is 3~5 cm.

Programmable door closing delay time. Adjustable from 0 to 255 seconds. Alarm will be triggered after set delay time.

seconds. Alarm will be triggered after set delay time.

Backlit keypad and LCD display.

RS485, RS232 and RS422 interfaces. TCP/IP is optional.

With RTC.

130,000 history capacity.

12,500 user capacity for FP-530C.

Built-in watch dog.

Reader ID is settable with keypad.

Built-in tamper switch and alarm.

Available for contacting detector

Data is recorded during power failure.

Compatible with push button and readers (EX: PR-200 and PR-400) for IN and OUT access control.

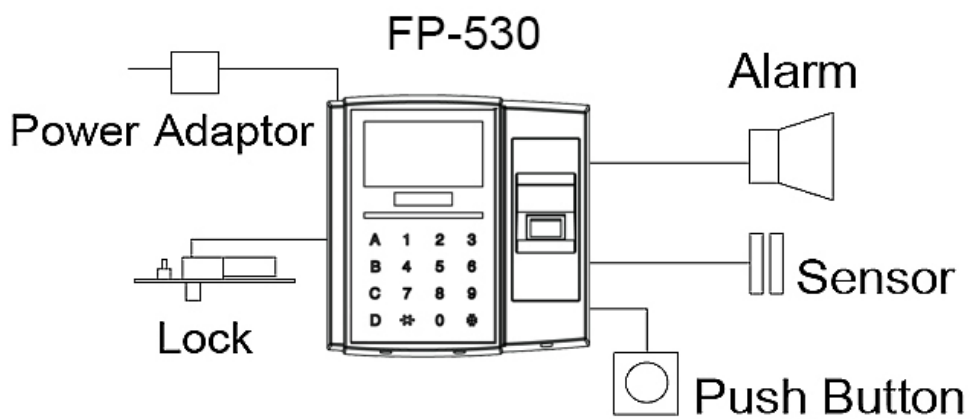
Operation modes: card + fingerprint, pin code + fingerprint, card or pin code + fingerprint, fingerprint only.

Users can select card or pin code only if their fingerprints are hard to recognize.

Fingerprint recognition less than 0.8 second.

1: 1 and 1: N fingerprint recognition.

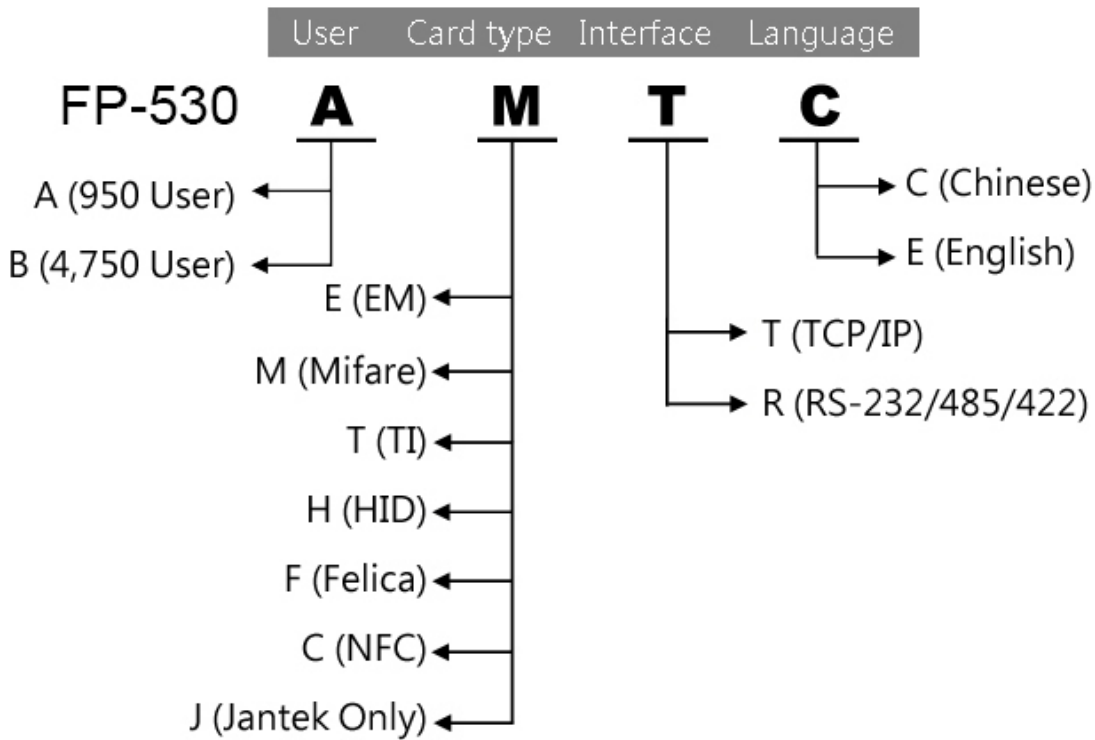
Configuration :



Specifications:

Display:	128 x 64 Dot (Blue backlight LCD)
Keypad:	4 x 4 16 keys touch keypad (Blue backlight LED)
Operating Environment Temperat	-20 ~ 50 ° C
Humidity:	20%~90RH
FAR:	0.001%
FRR:	1%
Dimensions:	143 (L)x142 (W)x38 (H)mm
Power:	DC12V, 1A
Relay:	4 relays contact (Max. DC 12V, 1Amp)

Ordering Information:



Reference models:

- FV-530CFinger Vein Secure Access Control System (Finger vein reader)
- FP-500Fingerprint With Touch Keypad Access Control System
- FP-410Proximity with Fingerprint Access Control System
- FP-400ABProximity with Fingerprint Access Control System
- FP-200DEProximity with Fingerprint Access Control System
- FP-300DEProximity with Fingerprint Access Control System

Taiwan Jantek Electronics., Ltd.

www.jantek.com.tw

Add:6F-1, No. 1, Wuquan 1St.Rd.,Xinzhuan District, TEL : 886-2-22991255

New Taipei City 24892,Taiwan, R.O.C.

FAX : 02-2299-1257 / 02-2299-7412

Email : service@jantek.com.tw