

Product Name: Electric Drop Bolt and Push Button

Product Type: PB-S71/S86

Features:

The Contactless, feature means sterile and hygienic

Under normal situation with blue LED. When it is active

LED turns to Green. It's easy to indicate the operation status

Relay trigger time is adjustable from 1 to 9 seconds

Proximity distance is adjustable from 10 to 20 cm

Indoor use only

Remote control door open for maximum

10M distance with an infrared keypad (Optional)

Relay Life: Mechanical:100,000,000 times

Electrical:500,000 times

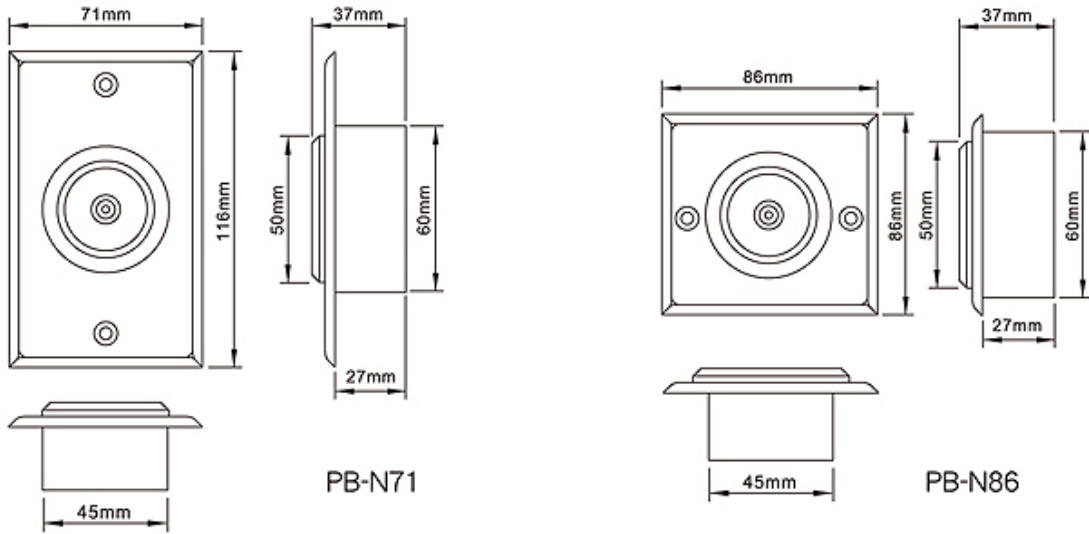
Specifications:

Dimension	PB-S71 119 (L) X 73 (W) X 38 (H) mm PB-S86 89 (L) X 89 (W) X 38 (H) mm
Contact Rating	0.5A 125VAC / 2A 30VDC / 0.3A 110VDC
Contact Type	2 form C (DPDT)
Relay Life	Mechanical:100,000,000 times / Electrical:500,000

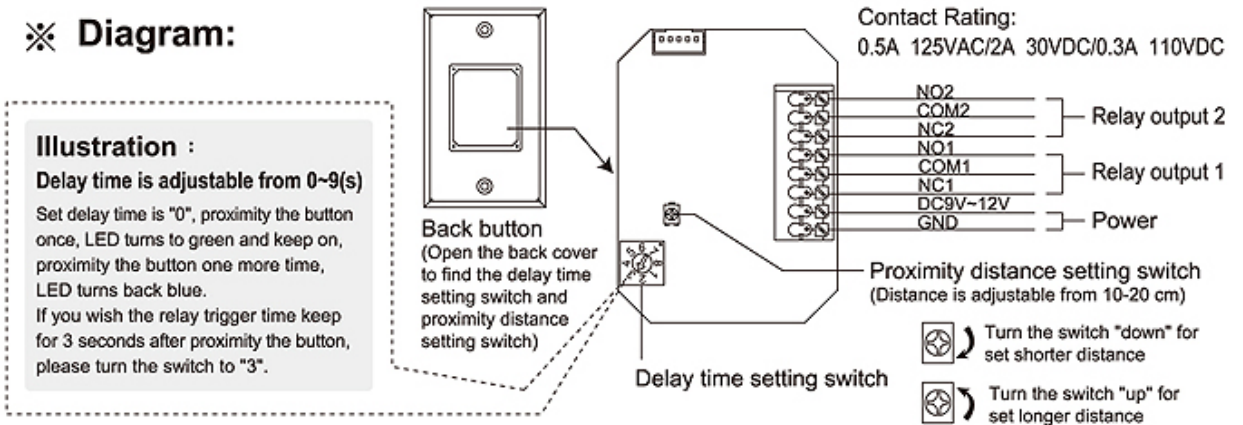
	times
Operation Temperature	-20 ° C ~ 55 ° C
LED indicate	Blue: normal / Green:active
Relay trigger time	1 to 9 second (adjustable)
Operation Distance	From 10 ~ 20 cm (adjustable)
Operation Voltage	DC9V ~ DC12V

Ordering Information:

※ **Dimension:**



※ **Diagram:**



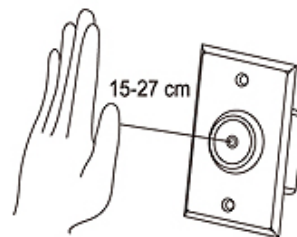
※ **Usage:**

A. Proximity the button

There are three operation methods (A.B.C)

LED Indicator:

Normal Situation : LED in blue
 When Proximity, Touch or Remote Control the button success, LED turns to green.

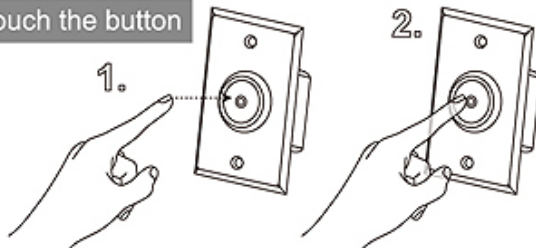


Attention :

You can set delay time on the delay time setting switch. (See the above "Illustration")

▶▶ Proximity distance is adjustable from 10-20 cm

B. Touch the button

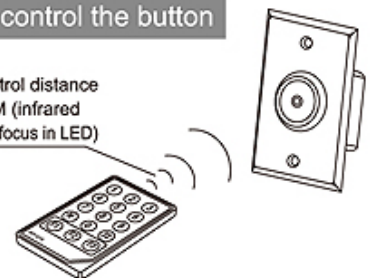


The LED turns to green by touch the metal circular of LED

▶▶ Touch the button, the relay trigger time fixed for 5 seconds (Unchangeable)

C. Remote control the button

Remote control distance is within 10M (infrared keypad must focus in LED)



▶▶ Remote control with infrared keypad (Option device)

Reference models:

PB-N71/N86 Infrared Push Button (Proximity Button & Exit button)

Taiwan Jantek Electronics., Ltd.

www.jantek.com.tw

Add: 6F-1, No. 1, Wuquan 1st Rd., Xinzhuang District, TEL : 886-2-22991255

New Taipei City 24892, Taiwan, R.O.C.

FAX : 02-2299-1257 / 02-2299-7412

Email : service@jantek.com.tw